



Features

- 30 MHz to 6 GHz Bandwidth
- Contains 1 pair of OZ510 TRx
- Up to 2 individual Tx or Rx
- Front & Rear Panel Alarm LED Indicator
- -0°C to +60°C Operating Case Temperature
- MTTF exceeds 10 years at +50°C
- Laser Conforms to Class 1 Emission Level per CDRH and IEC-825 (EN60825) Standards

Options

- Extended Bandwidth of 10 KHz to 6 GHz
- CWDM Lasers
- Multimode Fiber Compatibility

Applications

- Wi-Max/4G LTE
- Cellular Backhaul
- Remote Antenna Location
- Satcom
- In-Building Solutions
- GPS Distribution
- Timing Delay

J400

Description

The J400 Series main RF over Fiber module building blocks are based upon the OZ51X products, and may be populated with 1 pair of these transceivers or up to 2 individual transmitters and/or receivers. Each of these RfOf links is capable of carrying an individual RF signal over single mode (SMF-28) fiber optic cable (multimode fiber cable is optional).

FOR DETAILED TECHNICAL SPECIFICATIONS OF THE OZ51X, PLEASE REFER TO THE [OZ51X DATASHEET](#).

The J400 Remote Slot can be powered by DC 12 V power supplies. Complex alarm functions are available via micro USB connector and front panel LED indicators providing visual indication of link status.

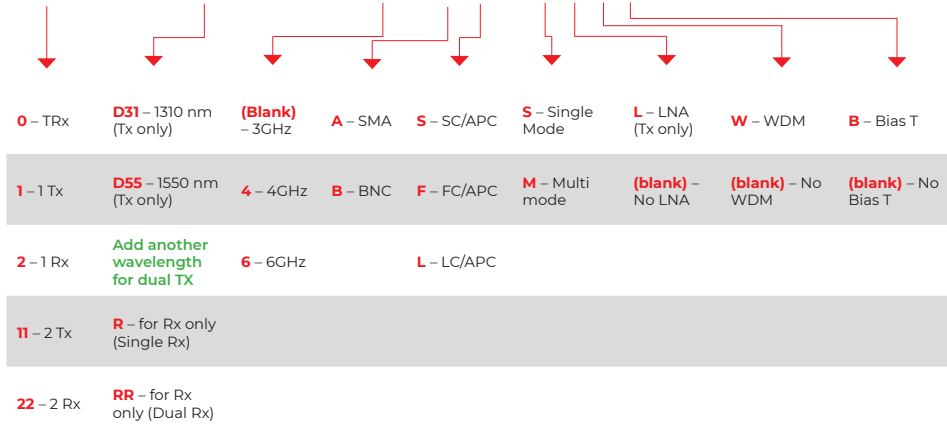
Absolute Maximum Ratings

Parameter	Min	Typical	Max	Units
RF Frequency Range	30 MHz		3.00 - 6 GHz	
Max RF Power			+10 dBm	
Impedance			50 Ohm	
In/Out VSWR			1.8:1	
RF Link Gain	-2 dB		+2 dB	
Operating Temperature	-20 °C		+75 °C	
Storage Temperature	-40 °C		+85 °C	
Relative Humidity	20%		90%	
Altitude			10,000 ASL	
Shock			20g	
MTTF @ 50°C		10		Years
Optical connectors			FC/APC or SC/APC	
RF connectors			SMA	

Ordering Information

PART NO. Indoor Units

AX3- J4XXXXXX - X - XX - XXXX



Contacts

HEADQUARTERS

7510 Hazeltine Avenue, Van Nuys, CA 91405
Main: 818-780-9701 Fax: 818-780-9739 info@opticalzonu.com

INSIDE SALES

818-780-9701 x122 ;
818-616-2043
sales@opticalzonu.com

CUSTOMER SUPPORT

818-780-9701 x276 ;
818-452-5131
support@opticalzonu.com

SALES - RF

818-780-9701 x122 ;
818-579-9630
sales@opticalzonu.com

SALES - RF EAST

818-780-9701 x140 ;
818-579-9594
sales@opticalzonu.com

SALES - SATCOM

818-780-9701 x242 ;
818-452-5896
sales@opticalzonu.com

SALES - DIGITAL

818-780-9701 x131 ;
818-579-9592
sales@opticalzonu.com

TECHNICAL SUPPORT

818-780-9701 x134 ;
818-579-2359
support@opticalzonu.com



MADE IN



U. S. A.

